

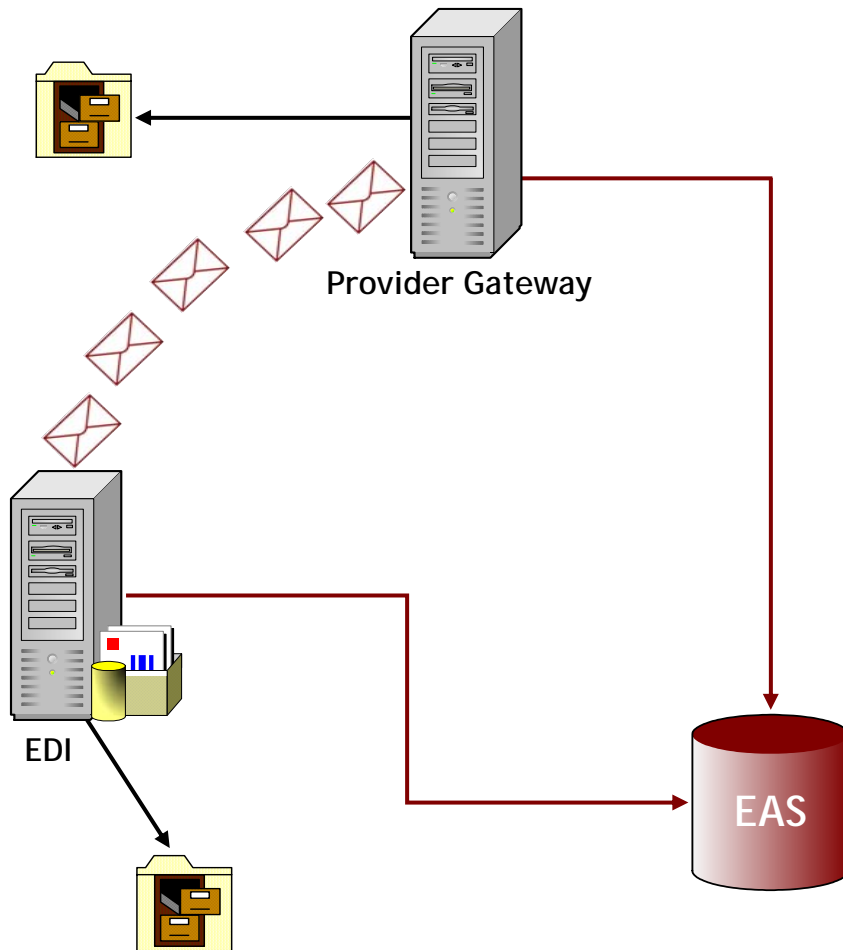
# Enterprise Audit Service (EAS) Solution

Presented by HCL Systems

# What Is EAS?

- An enterprise-wide solution designed to meet auditing requirements of disparate applications.
- EAS provides:
  - Capability to audit to centralized repository.
  - Mechanism by which organizations can view and query audited records from common repository.

# Tracking Transactions



- Without EAS, each transaction is sent to separate log file.
- Time consuming to search each log.
- With EAS, messages are tracked, sent to centralized database.
- Messages can be searched, viewed, and even replayed.

Status	Transaction Type	Transaction ID	Timestamp	Message (truncated to 250)
📄		MLTEST99	2003-06-27 10:13:39.256	*?xml version="1.0" encoding="UTF-8"?> *interchange+ *ISA+ *ISA01+00+*ISA01+ *ISA02+ *ISA03+ *ISA03+00+*ISA03+ *ISA04+ *ISA04+ *ISA05+ZZ+*ISA05+ *ISA06+*BC3J+ *ISA06+ *ISA07+ZZ+*ISA07+ *ISA08+592015684+*ISA08+ *ISA09+030612+*
📄	BOC_278_13_BCBSA	MLTEST99	2003-06-27 10:13:39.256	*?xml version="1.0"?> *BOC_278_13_BCBSA+ *ISA+ *ISA01+00+*ISA01+ *ISA02+ *ISA03+ *ISA03+00+*ISA03+ *ISA04+ *ISA04+ *ISA05+ZZ+*ISA05+ *ISA06+999+*ISA06+ *ISA07+ZZ+*ISA07+ *ISA08+993+*ISA08+ *ISA09+030612+*ISA09+ *ISA10
📄		gw200306300847	2003-06-30 11:09:45.046	*?xml version="1.0" encoding="UTF-8"?> *interchange+ *ISA+ *ISA01+00+*ISA01+ *ISA02+ *ISA03+ *ISA03+00+*ISA03+ *ISA04+ *ISA04+ *ISA05+ZZ+*ISA05+ *ISA06+*BC3J+ *ISA06+ *ISA07+ZZ+*ISA07+ *ISA08+592015684+*ISA08+ *ISA09+030612+*

# Advantages of EAS

- Is not application nor environment specific.
- Tracks transactions across disparate application boundaries and distributed systems.
- Allows application teams to configure granularity of logging through configuration properties.
- Provides for application events tracing.

# Advantages of EAS

- Provides record keeping in support future reference (HIPAA requirement).
- Allows rapid analysis of issues to be diagnosed by developers, production support personnel, business analysts.
- As shared component, minimizes total cost of ownership through reduced maintenance and support expenses.

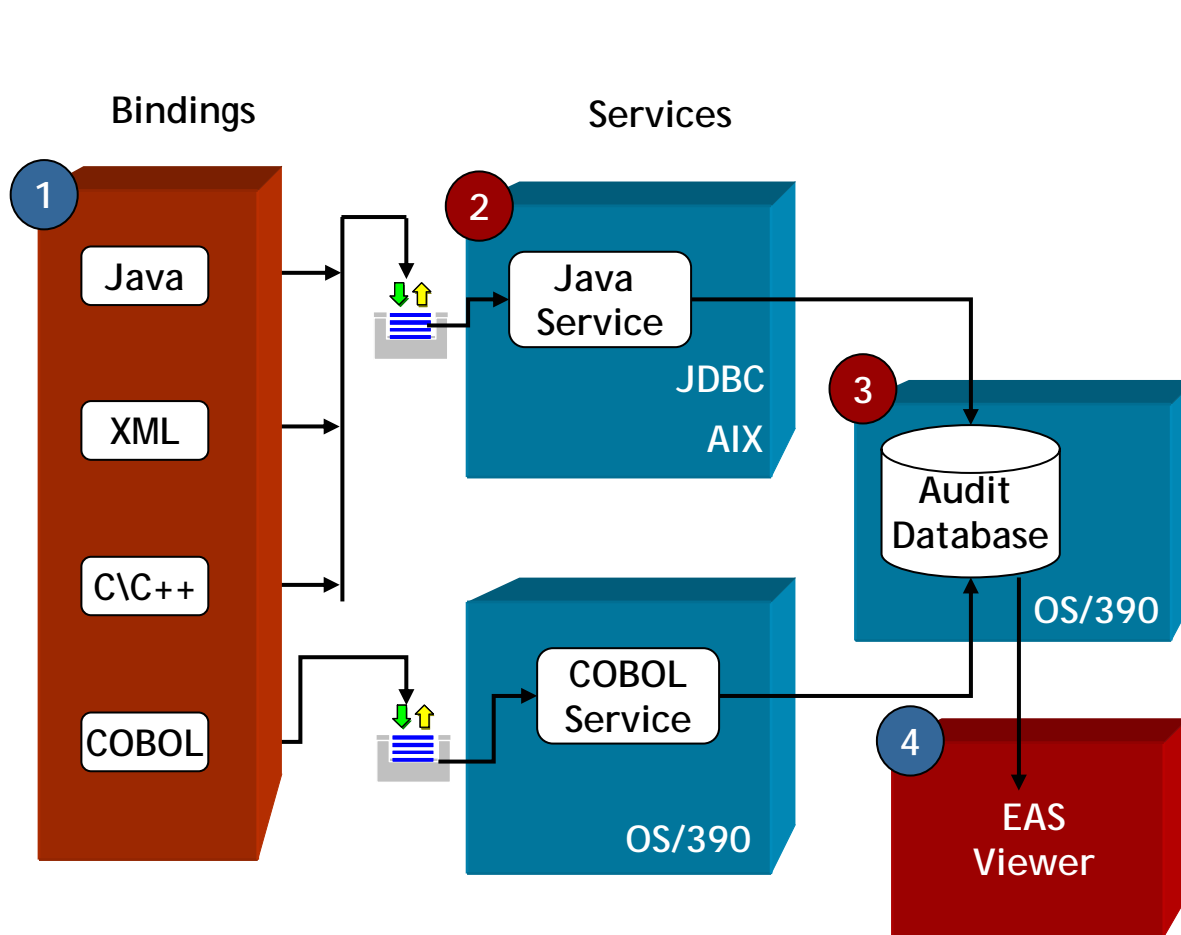
# EAS Components - Software

- Developed Software
  - EAS Client API's (C/C++, Cobol, Java, XML)
  - EAS Service (Java, Cobol)
  - DB2 Stored Procedure
- Commercial Off-The Shelf (COTS) Software
  - IBM Websphere Application Server
  - IBM DB2 Database
  - IBM MQSeries
  - IBM JMS Bindings

# EAS Components - Hardware

- IBM-AIX
- IBM-Mainframe

# How Does EAS Work?



1

A Client sends messages to a queue, freeing the application.

2

From the queue, messages are sent to the Service for processing.

3

After processing, messages are sent to the database for storage.

4

Once messages are stored, the EAS Viewer is used to query the database.



# Features of EAS Viewer

- Access in two modes
  - View mode
  - Admin mode
- Change databases
- Perform Basic and Advanced searches
- Obtain summary list of results:
  - Shows Transaction ID and status
  - Timestamp
  - Truncated version of message

# Features of EAS Viewer

- Detail Record
  - One click, get all record detail and entire format with optional formats.
- Replay capability
  - Search for failed transactions and replay each transaction.
- Archival capability
  - Select archive rules and times.